

VILLAGE OF ROYAL PALM BEACH, FLORIDA

---

PROJECT NAME: **COMMONS PARK PATHWAY LIGHTING**  
PROJECT NUMBER: **PR1903**

---

**ADDENDUM NUMBER: ONE**

DATE OF ISSUANCE: August 18, 2021

TO: Prospective Bidders

THIS ADDENDUM NO. One INCLUDES THE FOLLOWING:

- 1) Bid Documents
  - a. Replace the following pages with Addendum 1 versions:
    - i. I-3: Added Table of Contents listing for new Attachment 1.
    - ii. INV-5: Revise the proposed number of poles to 55 and revise the date of the Pre-Bid Meeting to Wednesday, August 25.
  - b. Add Attachment 1 as pages RT-138 – RT-145.
- 2) Plans
  - a. Replace the following sheet with the Addendum 1 version:
    - i. E-25: Changed pole height from 16' to 14'. The mounting height (height of the light source) shall be approximately 16'.

APPROVED BY: Christopher A. Marsh, P.E., Village Engineer

ACKNOWLEDGMENT OF RECEIPT: \_\_\_\_\_  
Bidder

ADD-1

SECTION 01410 TESTING LABORATORY SERVICES	PG	3
SECTION 01720 PROJECT RECORD DOCUMENTS	PG	3
<b>ROADWAY TECHNICAL SPECIFICATIONS</b>		
SECTION 100 - CONSTRUCTION EQUIPMENT - GENERAL REQUIREMENTS	RT	1
SECTION 101 - MOBILIZATION	RT	3
SECTION 102 - MAINTENANCE OF TRAFFIC	RT	1
SECTION 104 - PREVENTION, CONTROL, AND ABATEMENT OF EROSION AND WATER POLLUTION	RT	2
SECTION 110 - CLEARING AND GRUBBING	RT	2
SECTION 120- EARTHWORK	RT	17
ATTACHMENT 1: LED FIXTURE, CONCRETE POLE, AND PHOTOMETRIC SPECIFICATIONS	RT	8

## INVITATION TO BID

Sealed bids will be received by the Village of Royal Palm Beach, Florida at the Office of the Village Clerk, located at 1050 Royal Palm Beach Boulevard, Royal Palm Beach, Florida 33411, for subject project 3:00 p.m. local time Friday, September 10, 2021, then opened publicly at that time.

**PROJECT: Commons Park Pathway Lighting**

**Project NO: PR1903**

**Project Description:**

The project consists of installing fifty-five (55) concrete pedestrian light poles with LED fixtures associated service points, conduit, and wiring along existing pathways. The project is located in Royal Palm Beach Commons Park at 11600 Poinciana Blvd, Royal Palm Beach, FL 33411.

Budget: \$ 625,000

The Contract Documents will be open to inspection at the Clerk's office. Contract documents may be purchased after noon on Friday, August 13, 2021 from the Village of Royal Palm Beach, ATTN: Village Clerk, 1050 Royal Palm Beach Boulevard, Royal Palm Beach, Florida, 33411 at the following prices, which are non-refundable:

Complete Set: 50.00                      Packaging & Mailing Charges / Set: 75.00  
(Drawings & Project Manual)

Project plans and documents may be requested free of charge at: [www.royalpalmbeach.com/rfps](http://www.royalpalmbeach.com/rfps)

Bids must be accompanied by a Bid Security in the form of a certified bank check made payable to the Owner, or a Bid Bond. The amount of the security shall not be less than five (5) percent of the Bidder's total price indicated in Bid Form.

In accordance with F.S. 287.133 (2) (a), persons and affiliates who have been placed on the convicted vendor list may not submit bids, contract with, or perform work (as a contractor, supplier, subcontractor or consultant) with any public entity (i.e. Village of Royal Palm Beach) in excess of Ten Thousand Dollars (or such other amount as may be hereafter established by the Florida Division of Purchasing in accordance with F.S. 287.017) for a period of 36 months from the date of being placed on the convicted vendor list.

A pre-bid conference will be held on Wednesday, August 25, 2021 at 3:00 p.m. via GoToWebinar  
Please join the meeting from your computer, tablet or smartphone.

Registration URL <https://attendee.gotowebinar.com/register/973359577955106571>  
Webinar ID 896-896-883

If you prefer to use your phone, you must select "Use Telephone" after joining the webinar and call in using the numbers below.

United States: +1 (415) 930-5321

Access Code: 893-055-642

Audio PIN: Shown after joining the webinar

The pre-bid conference is **not mandatory**.

The OWNER reserves the right to reject any or all Bids, to waive informalities, and to re-advertise.

Publish:                      Palm Beach Post:                      Monday, August 9, 2021

The following product specification sheets are given as examples of the Village's requirements and expectations for the Commons Park Pathway Lighting project, including warranties. All branding information has been removed. Use these sheets and the detail sheets in the plans to select products for your bid. It is not required to bid with these exact products, but this will be the standard to determine approved equals.

**PHOTOMETRIC SPECIFICATIONS**

Horizontal Footcandles  
0.58 Minimum Average  
5.0 Maximum

Photometric Plans  
Photometric Plan and Photometric  
As-Builts shall be certified by an  
engineer.



## PRODUCT SPECIFICATIONS

### R1/B3 LED ENGINE

Light engine shall be an array of 36, 42, 54 or 63 solid state high power LEDs (light emitting diodes) mounted to a multi-sided, vertical heat sink of highly conductive aluminum. The LED emitters are mounted to removable circuit boards such that they are in full thermal contact with the vertical heat sink. The vertical heat sink is open at the bottom and vented at the top to provide appropriate dynamic airflow cooling for the LED array. The emitters are arranged in various patterns on each face of the vertical heat sink to provide the required light distribution.

The LED arrays include optical baffles constructed of optical grade ABS plastic with a vacuum metallized reflective surface or clear acrylic precision refractors over each diode. Both optical options are designed to efficiently control light distribution in IESNA Type IV & V for the B3 and Type III & V for the R1.

### P4 LED ENGINE

Light engine shall include an array of high power LEDs (light emitting diodes). The emitters shall be mounted to a metal core circuit board using SMT technology. The LEDs and circuit boards shall then be mounted to a high performance heat sink.

External light control shall consist of high precision refractive lenses mounted above the LED emitter arrays in such a way to achieve optimum upright control. The lenses shall also control horizontal light distribution so that either Type II, III, IV or V IESNA distribution patterns are achieved.

### LENS

The lens panels shall be made of polycarbonate or acrylic. The polycarbonate shall be a minimum of 3/16" thick

The acrylic shall be a minimum of 3/16"

### LUMINAIRE CONSTRUCTION

All cast components shall consist of a heavy grade A319 cast aluminum. The main body or capital, acts as an enclosure for the driver assembly and is of adequate thickness to give sufficient structural rigidity. The capital shall have an opening at the base tenon body to allow the luminaire to be mounted to a tenon of 3-1/2" maximum diameter. The capital lock to a 7" OD post top ring. The luminaire shall be locked in place by means of heavy duty, stainless-steel set-screws.

### LUMINAIRE ASSEMBLY

The luminaire assembly is a self-contained unit consisting of a rugged cast aluminum body, and the LED light engine consisting of aluminum castings and the LED light engine. The LED light engine is of a modular design, and is able to be quickly removed from the luminaire assembly without the need to disassemble the luminaire assembly itself. The luminaire assembly is composed of octagonal cast top and bottom rings and eight cast aluminum struts comprising the housing. The hinged lid is cast aluminum and is secured to the main housing by a stainless steel rotary latch.

### DRIVER

The LED universal dimmable driver will be class 2 and capable of 120 - 277V or 347 - 480V input voltage, greater than 0.9 power factor, and less than 20% total harmonic distortion. The case temperature of the driver can range from -40°C to 70°C. Each LED system comes with a standard surge protection designed to withstand up to 20kV/10kA of transient line surge as per IEEE C62.41.2 C High. An in-line ferrite choke is utilized to provide protection against EFT's.

### PHOTOMETRICS

Fixtures are tested to IESNA LM79 specifications. These reports are available upon request.

### CHROMATICITY

High output LEDs come standard at 3000K & 4000K (+/- 300K) with a minimum nominal 70 CRI. Additional CCT emitters are available upon request.

### LUMEN MAINTENANCE

Reported (TM21) and Calculated (L70) reports are available upon request with a minimum calculated value of 100,000 hrs.

### WIRING

All internal wiring and connections shall be completed so that it will be necessary only to attach the incoming supply connectors shall be certified for 600V operation. Internal wire connectors shall be crimp connector only and rated at 1000V and 150°C. All wiring to be CSA certified and/or UL listed, type SFF-2, SEWF-2, or SEW-2 No. 14 gauge, 150°C, 600V, and color coded for the required voltage.

### THERMALS

Fixtures tested by a DOE sanctioned test facility to determine the maximum in-situ solder-point or junction-point temperatures of the LED emitters. This report is available upon request.

### FINISH

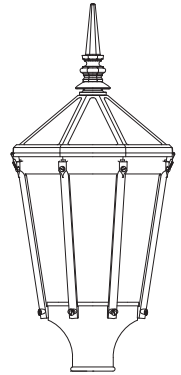
Housing is finished with a 13 step polyester TGIC powder coat. Standard colors include strobe white, brown metal, marina blue, gate gray, Chicago bronze, standard gold, standard black, federal green and rain forest. Please see our website for a complete list of colors. RAL and custom color matches are available.

### MISCELLANEOUS

All exterior hardware and fasteners, wholly or partly exposed, shall be stainless-steel alloy. All internal fasteners are stainless-steel or zinc coated steel. All remaining internal hardware is stainless steel, aluminum alloy, or zinc coated steel.

### WARRANTY

The LED luminaire comes with a 7 year limited warranty.



### CERTIFICATION:

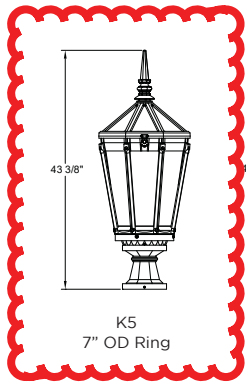
CSA US Listed  
Suitable for wet locations  
ISO 9001  
IP66  
ARRA Compliant  
LM79 / LM80 Compliant

### DRIVER INFO:

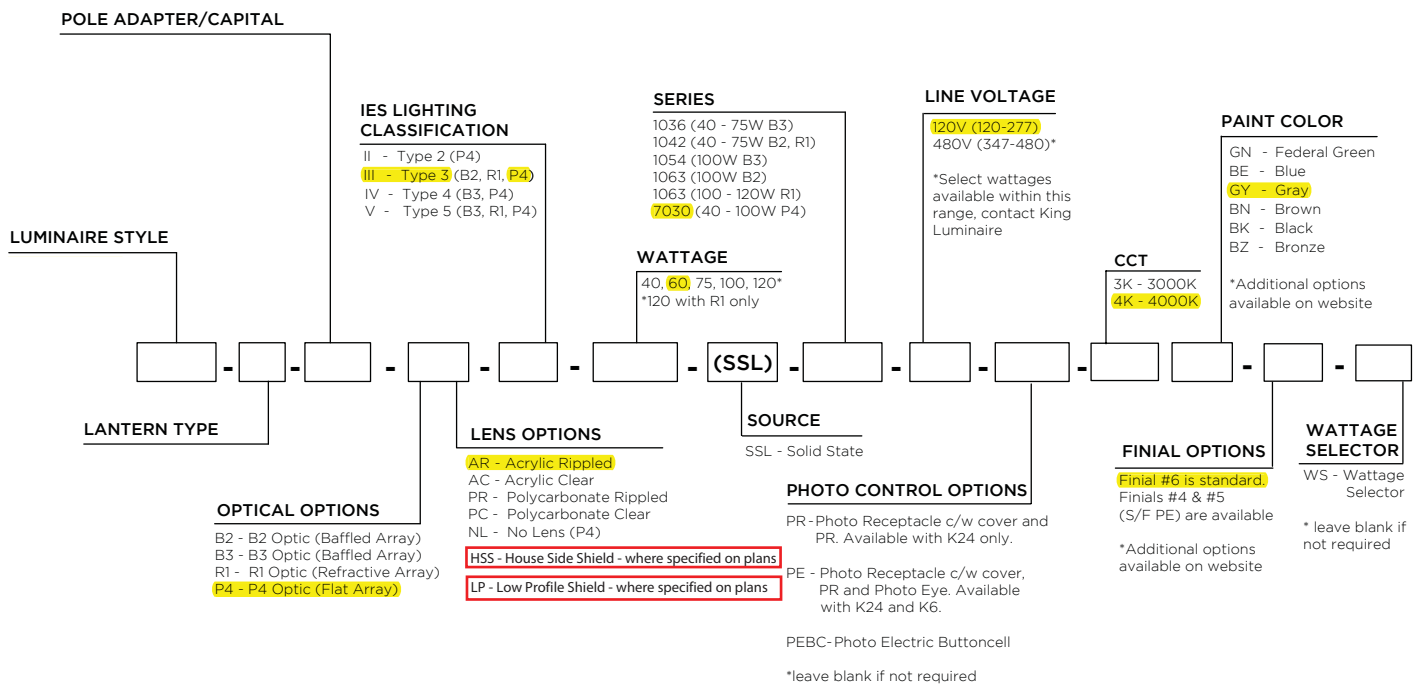
>0.9 Power Factor  
<20% Total Harmonic Distortion  
120 - 277V & 347 - 480V  
-40°C Min. Case Temperature  
70°C Max. Case Temperature  
Surge Protection: ANSI C136.2  
extreme level 20kV/10kA

Addendum 1  
8/18/2021

# FIXTURE OPTIONS



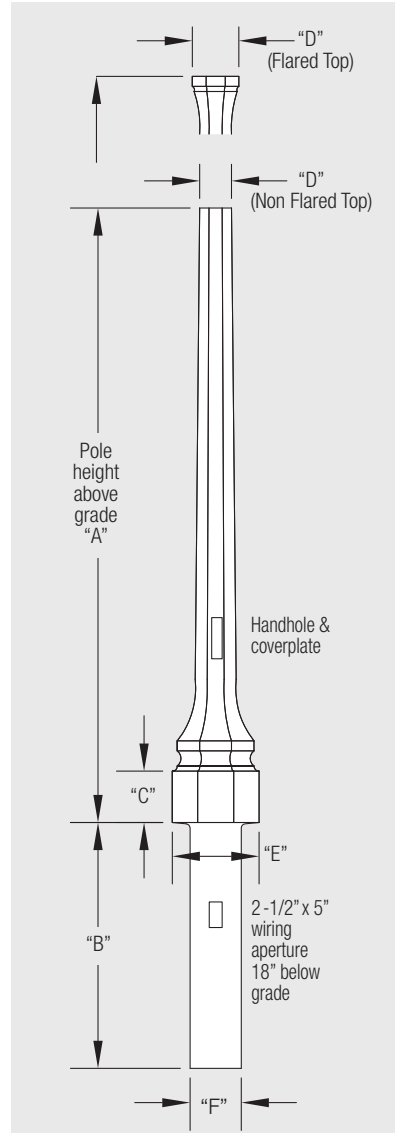
## HOW TO ORDER



Addendum 1  
8/18/2021

# Specification Details\*

Description	Catalog Number	"A" Pole Height Above Grade	"D" Tip Dimension	"C" Stepped Section Height	"E" Flare	"B" Direct Burial Length & "F" Dia.	Pole Weight Direct Burial	Pole Weight Base Plate
11'		11' 0"	9"	6"	18"	4' 6" x 9 1/2"	1050 lbs	850 lbs
12'		12' 0"	5 3/4"	10"	17"	4' 6" x 9 1/2"	1300 lbs	1100 lbs
14'		13' 11"	9"	10"	17"	4' 6" x 9 1/2"	1370 lbs	1170 lbs
18'		18' 0"	6 1/4"	10"	18"	5' 0" x 9 1/2"	1500 lbs	1300 lbs
20'		20' 0"	6"	10"	18"	5' 0" x 9 1/2"	1600 lbs	1400 lbs
22'		22' 0"	5 3/4"	10"	18"	5' 0" x 9 1/2"	1700 lbs	1500 lbs
25'		25' 0"	5 3/8"	10"	18"	5' 0" x 9 1/2"	1800 lbs	1600 lbs
30'		30' 0"	4 3/4"	10"	18"	5' 0" x 9 1/2"	1900 lbs	1700 lbs



**Pole Style**

KBH 30'

Height 5' - 30'

**Finish**

E - Etched Finish  
S - Polished Finish

E 40

Color\*\*

10 - Midnight Lace  
11 - Eclipse Black  
30 - Salt & Pepper  
40 - Pearl Gray  
90 - Saluki bronze

**Footing Details**

DB - Direct Buried  
FBP - Flush Baseplate  
SBP - Stub Baseplate

DB 140 30/30

Tenon (Post Top Mount)

Specify Tenon Size

For example 140 30/30 = 2 7/8" OD & 3" long

**Coating**

NA - Non Acrylic  
A - Acrylic  
AG - Anti Graffiti Coating\*\*\*

GFI NA

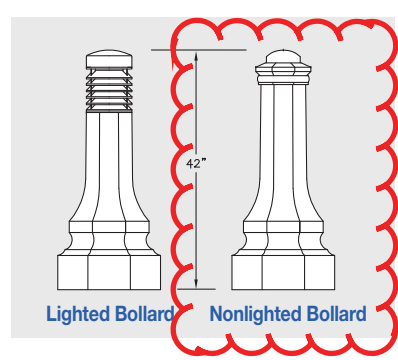
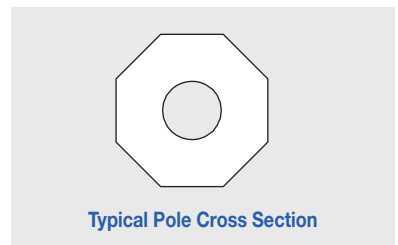
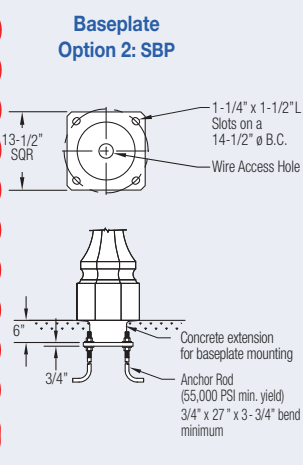
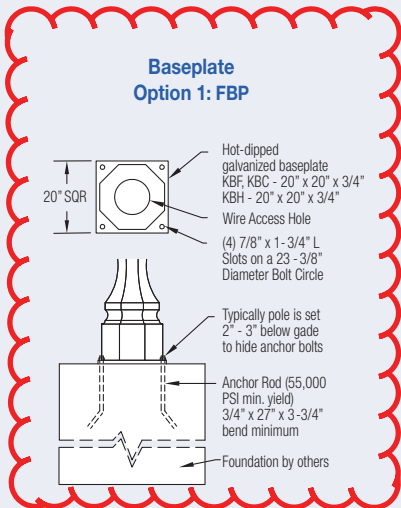
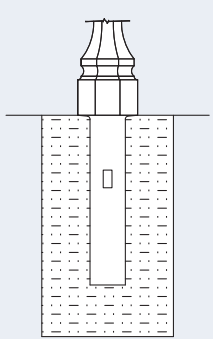
**Options\***

DR - Duplex Receptacle  
GFI - Ground Fault Duplex Receptacle  
SR - 1 Outlet  
LRN - Ladder Rest  
BPC - Base Plate Cover  
AB - Anchor Bolts  
BA - Banner Arms where specified on plans  
FH - Flag Holders

\* Consult website for full listings. \*\* See decor colors on page 2 for full selection of colors.  
\*\*\*Anti Graffiti Coating is extra, consult factory for more details.

## Footing Details

- Direct Buried**  
(Simple and Cost Effective)
1. Auger the setting hole.
  2. Set pole in hole and plumb straight.
  3. Backfill\* with required backfill tamping every 4" to 6".



\*Generally the excavated material can be used for backfill, in some situations better backfill may be required.

# WARRANTY

---

## LED LUMINAIRES: ELECTRICAL COMPONENTS

### SEVEN (7) YEAR WARRANTY

**Manufacturer** provides a **Seven (7) Year Warranty** for its products to be free of defects in materials and workmanship. This warranty includes LED electrical components, including LED emitters based on an operational life expectancy of 50,000 hours. Expected life for LEDs is determined as the time at which the emitters(s) will operate at 70% of their initial lumen output. At **Manufacturer's** option, we will repair or replace, without charge, any properly installed **Manufacturer** product we deem to be defective if such product has failed under normal conditions, use, service and maintenance.

Any **Manufacturer** product that has been damaged due to handling, transportation, installation, vehicular impact, abuse or vandalism is not covered under this warranty.

This warranty does not cover instances where the product is used outside of its specifications.

This warranty commences at the date of shipment, is not transferable and is applicable only to the original purchaser.

This warranty constitutes the entire obligation of **Manufacturer** to the original purchaser and further constitutes the original purchaser's sole remedy. **Manufacturer** makes no other express or implied warranty of fitness for a particular purpose, nor of merchantability, nor any other express or implied warranties. **Manufacturer's** responsibility under this warranty does not include any obligation to reimburse the original purchaser for transportation, installation, removal, repair, or any other incidental expenses incurred by the original purchaser, or others, in relation to any product defect covered by this limited warranty. Furthermore, **Manufacturer** is not liable for any consequential or resultant damages which may arise from product defects, whether foreseen, or unforeseen. In no event will **Manufacturer** be responsible or liable for any labor costs.

Addendum 1  
8/18/2021

---

## EXCLUSIONS

This is a limited warranty, and excludes installation and consequential damages (such as loss of revenue/profits, damage to property or other extended costs not previously mentioned), and is further defined by the limitations and conditions below.

**Manufacturer** shall not be liable for any loss of use of the equipment, inconvenience, or any other damages, whether direct, indirect, incidental or consequential resulting from the use of this product, or arising out of any breach of this warranty. The limited warranty and remedies set herein are exclusive and in lieu of all other warranties whether statutory, express or implied including all warranties of merchantability and fitness for particular purpose.

Repair or replacement of the product or the defective part does not include any reinstallation costs or expenses, including without limitation labor costs or other expenses.

This limited warranty does not cover the following:

1. Product failure caused by faulty power or supplies, overheating caused by improper installation.
2. Failure caused by fires, misuse, accidents, abuse, neglect, mishandling, misapplication, improper handling/installation incurred by the user/installer or "Acts of God" (such as lightning or fluctuations in electrical power).
3. Product is left operating in conditions/requirements other than those mentioned in respective product brochures or fixture installation instruction sheets supplied with each fixture when shipped.
4. Products which have been modified by someone other than **Manufacturer**
5. The product has been serviced by personnel not authorized by **Manufacturer**

## LIMITATIONS AND CONDITIONS

Products should be used within their specifications (e.g. case temperature higher than normal range, water ingress and other extreme conditions) and according to application guidelines. Warranty becomes void if the product is used outside its intended use. Warranty will also be voided should the customer fail to appropriately maintain the installed product.

This warranty applies only to the repair or replacement of the product and only when the product is properly handled, installed and maintained according to our installation instructions. Purchaser must notify **Manufacturer** in writing within 30 days of noticing the defect.

Products must be operated within the specified electrical values; and operated in environmental conditions within the normal specified operating range of the system. **Manufacturer** cannot be held liable for electrical supply conditions, including supply spikes, and over-voltage/under-voltage that are beyond the specified limits of the products and those defined by relevant supply standards.

This warranty applies only to products that have been properly stored, installed, and maintained. **Manufacturer** cannot be held liable if the purchaser or the user fails to comply with any applicable instructions and recommendations of the manufacturer such as: the above mentioned environmental, handling and electrical conditions, excessive operation of the product (more than 4,600 hours per year), and LED light components being interchanged with components of other manufacturers.

Addendum 1  
8/18/2021



---

LIMITATIONS AND CONDITIONS, CONTINUED

**Manufacturer** shall not be responsible for any failure of its products that result from external causes, including but not limited to “Acts of God”; power surges that exceed product specification; improper power supply; fault or negligence of the purchaser or user; improper use, installation, handling, storage, alteration or service; any abuse, misuse, abnormal use or use in violation of any applicable standard, code or instructions for use in installations including those contained in the latest National Electrical Code (NEC), the Standards for Safety of Underwriters Laboratory, Inc. (UL), Standards for the American National Standards Institute (ANSI), the Canadian Standards Association (CSA); or any cause other than a defect in the material or workmanship of the product itself.

Notwithstanding anything to the contrary in this limited warranty document, the LED module of the product shall not be deemed to fail to meet the warranties above unless **ten percent (10%) or more of the LEDs in the module do not light.**

For a valid warranty claim to be honored, a detailed description of any defect(s) covered by this warranty must be given in writing within the warranty period. **Manufacturer**, at our sole discretion, will either repair or replace the defective part or product at our cost, such repair to occur either onsite or, at our discretion, at our factory (should factory repair be required, product to be removed at original purchaser’s expense and returned to our facility freight prepaid). In no event will **Manufacturer** be responsible or liable for any labor costs.

Addendum 1  
8/18/2021

# WARRANTY

---

## LED LUMINAIRES: PAINT, POWDER COATING, AND ACRYLIC, POLYCARBONATE AND GLASS ENCLOSURES

### FIVE (5) YEAR WARRANTY

**Manufacturer** provides a **Five (5) Year Warranty** for its products to be free of defects in materials and workmanship. This warranty includes paint or powder coatings, and acrylic, polycarbonate and glass enclosures on our lighting products. At **Manufacturer's** option, we will repair or replace, without charge, any properly installed **Manufacturer** product we deem to be defective if such product has failed under normal conditions, use, service and maintenance.

Any **Manufacturer** product that has been damaged due to handling, transportation, installation, vehicular impact, abuse or vandalism is not covered under this warranty.

This warranty does not cover instances where the product is used outside of its specifications.

This warranty commences at the date of shipment, is not transferable and is applicable only to the original purchaser.

This warranty constitutes the entire obligation of **Manufacturer** to the original purchaser and further constitutes the original purchaser's sole remedy.

**Manufacturer** makes no other express or implied warranty of fitness for a particular purpose, nor of merchantability, nor any other express or implied warranties.

**Manufacturer's** responsibility under this warranty does not include any obligation to reimburse the original purchaser for transportation, installation, removal, repair, or any other incidental expenses incurred by the original purchaser, or others, in relation to any product defect covered by this limited warranty. Furthermore,

**Manufacturer** is not liable for any consequential or resultant damages which may arise from product defects, whether foreseen, or unforeseen. In no event will

**Manufacturer** be responsible or liable for any labor costs.

Addendum 1  
8/18/2021

# WARRANTY

---

## SPUN CONCRETE POLES AND BOLLARDS

### LIFETIME WARRANTY

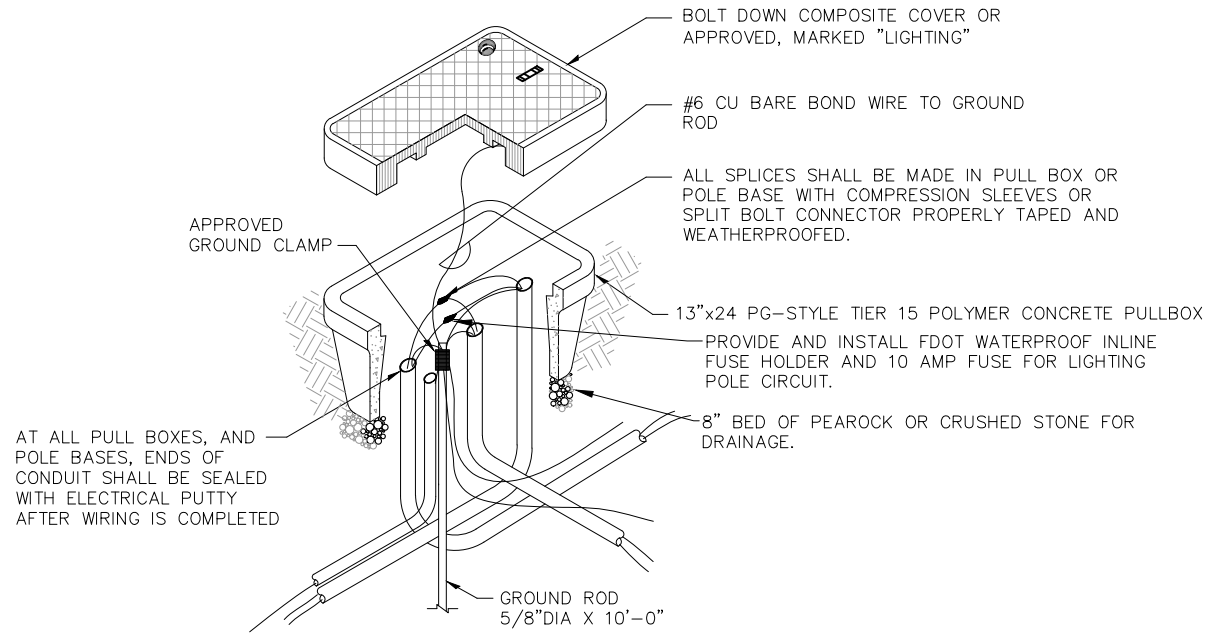
**Manufacturer** provides a limited **Lifetime Warranty** for its spun concrete poles and bollards to be free of defects in materials and workmanship. At **Manufacturer's** option, we will repair or provide a replacement of, without charge, any properly installed **Manufacturer** product we deem to be defective after such product has failed under normal conditions, use, service and maintenance.

This limited lifetime warranty specifically excludes the natural aging process on coatings. This limited lifetime warranty also excludes the electrical components of spun concrete bollards which is covered under a separate warranty. Concrete pole accessories including but not limited to platforms, cross arms, arms, ACE, pole steps, GFI's, climbing cables & flag holder accessories are covered under separate manufacturers' warranties; please contact **Manufacturer** for more information. Any **Manufacturer** product that has been damaged due to handling, transportation, installation, vehicular impact, abuse or vandalism is not covered under this warranty. Where the product is used outside its specified use this warranty is null and void.

This warranty commences at the date of shipment, is not transferable and is applicable only to the original purchaser.

This warranty constitutes the entire obligation of **Manufacturer** to the original purchaser and further constitutes the original purchaser's sole remedy. **Manufacturer** makes no other express or implied warranty of fitness for a particular purpose, nor of merchantability, nor any other express or implied warranties. **Manufacturer's** responsibility under this warranty does not include any obligation to reimburse the original purchaser for transportation, installation, removal, repair, or any other incidental expenses incurred by the original purchaser, or others, in relation to any product defect covered by this limited lifetime warranty. However, at **Manufacturer's** discretion, a reimbursement for the cost associated with the removal and reinstallation of any **Manufacturer** product that is deemed to be defective under this warranty may be paid to the end user, to a maximum of \$300.00 per unit, during the first ten (10) years of this warranty. Any product deemed to be defective under the terms of this warranty after a period of ten (10) years will be subject to unit replacement only. Furthermore, **Manufacturer** is not liable for any consequential or resultant damages which may arise from product defects, whether foreseen, or unforeseen. In no event will **Manufacturer** be responsible or liable for any labor costs.

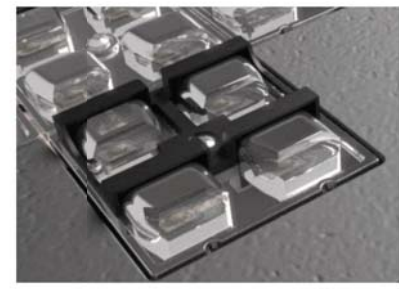
The **Manufacturer** defines "Lifetime" as the lifetime of the product's intended use.



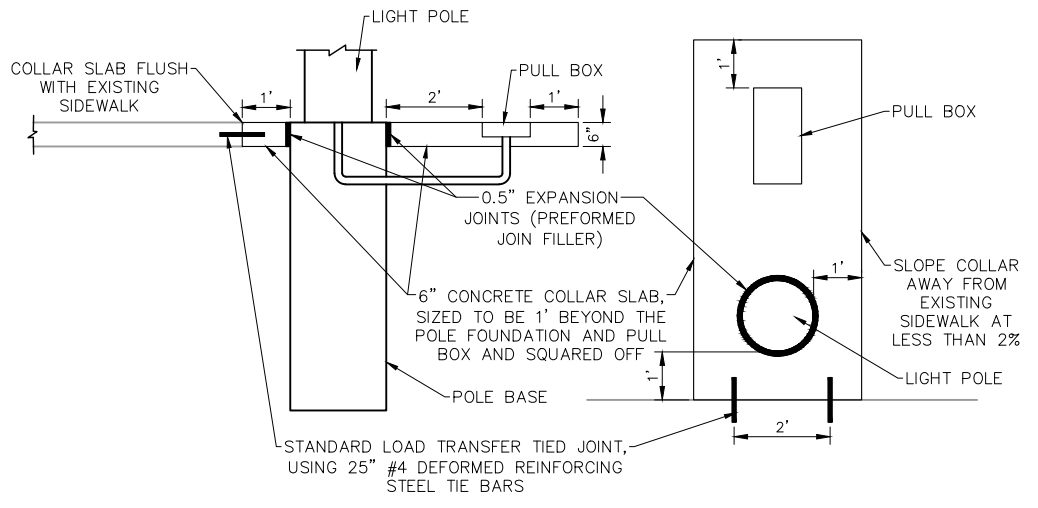
**ELECTRICAL PULL BOX DETAIL**  
N.T.S.

- NOTES:
- PULL BOX SHALL BE INSTALLED AT EACH LIGHT POLE, ON EACH SIDE OF ROADWAY CROSSINGS AND AS NEEDED FOR PULLING DISTANCE WHETHER SHOWN ON PLAN OR NOT.
  - CONTRACTOR SHALL PROVIDE 8' OF EXTRA CONDUCTOR IN PULL BOXES COILED NEATLY.
  - CONTRACTOR SHALL PROVIDE AND INSTALL COPPER KEEPER IN ALL OPEN CONDUITS IN PULL BOXES.

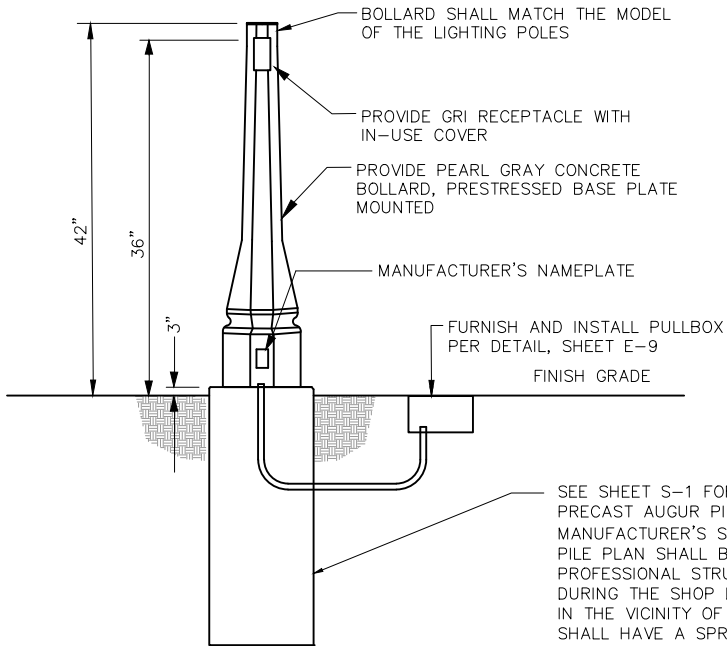
- Suitable for P4 engine with no lens, plus sag, shallow or deep dish lens
- Factory installed house side lighting control
- Shield coverage of 150°
- Virtually invisible to the eye; eliminating the need of a large unsightly reflector



**LOW PROFILE HOUSE SIDE SHIELD**



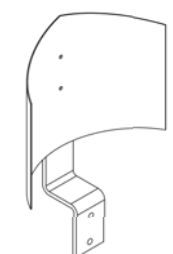
**LIGHT POLE COLLAR DETAIL**  
N.T.S.



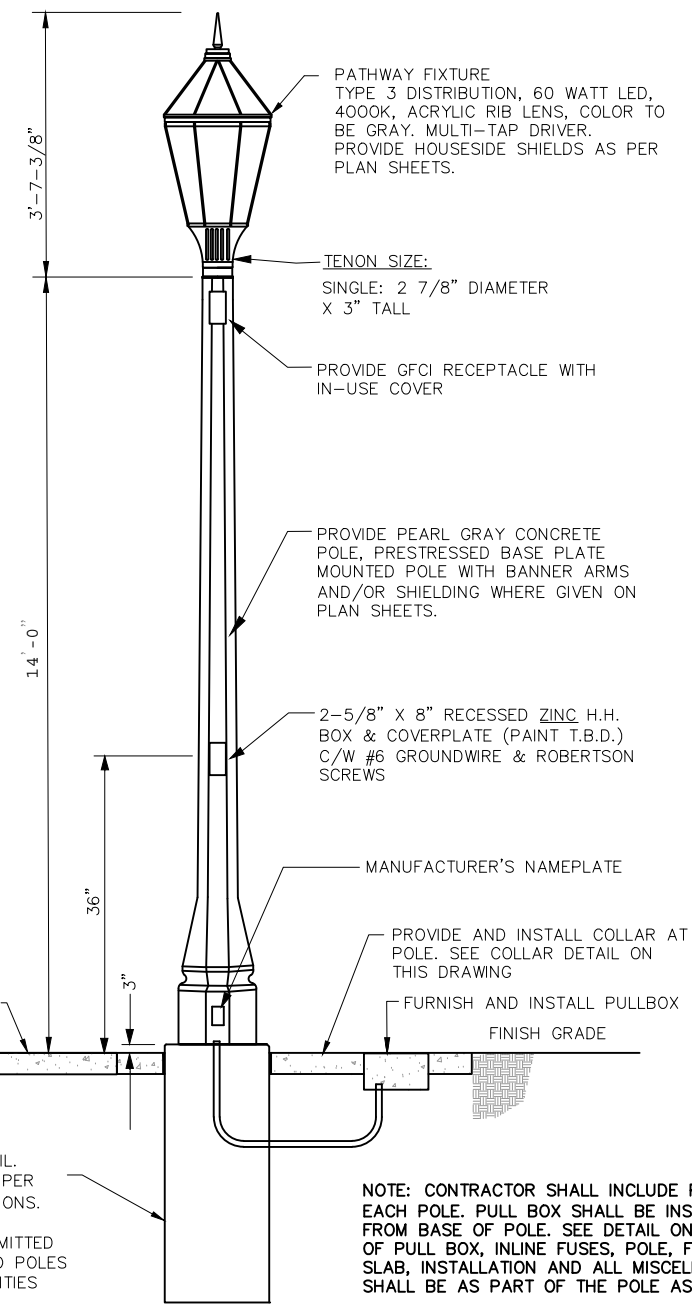
**PATHWAY RECEPTACLE BOLLARD DETAIL**  
N.T.S.

- Available for production of new luminaires
- Suitable for field installation into luminaires that have HSS tower holes located in the bottom portion of the optical system tower
- Available for all distribution patterns
- Shield coverage of 120°

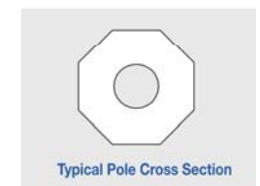
Field installation into existing luminaires: Shield is easily secured to the lower portion of the tower using pre-existing HSS tower holes.



**HOUSE SIDE SHIELD**



**PATHWAY LIGHTING POLE DETAIL**  
N.T.S.



**WINDLOAD NOTE:**

ALL POLE INSTALLATIONS SHALL BE SUITABLE FOR WIND LOAD IN ACCORDANCE WITH THE FLORIDA BUILDING CODE. THE CONTRACTOR SHALL INCLUDE WITH THE SHOP DRAWING SUBMITTAL, A POLE WIND LOADING CALCULATION SEALED BY A STRUCTURAL ENGINEER REGISTERED IN FLORIDA SHOWING THAT THE PROPOSED INSTALLATION WILL MEET THE WIND LOADING REQUIREMENT.

LARRY M. SMITH, PE FL. REG 45997

**SEC** Smith Engineering Consultants, Inc.  
State Auth. #8228  
2161 Palm Beach Lakes Blvd., Suite 312  
West Palm Beach, FL 33409  
(561) 616-3911 Fax (561) 616-3912  
www.smithengineeringconsultants.com