

VILLAGE OF ROYAL PALM BEACH, FLORIDA

PROJECT NAME: **FPL PATHWAY LIGHTING**
PROJECT NUMBER: **EN1901**

ADDENDUM NUMBER : ONE

DATE OF ISSUANCE: January 20, 2021

TO: Prospective Bidders

THIS ADDENDUM NO. One INCLUDES THE FOLLOWING:

- 1) Add Attachment 1: Concrete Pole, LED Fixture, and Photometric Specifications
- 2) Revise the Bid Opening date on the Invitation to Bid (INV-5) as follows:

Sealed bids will be received by the Village of Royal Palm Beach, Florida at the Office of the Village Clerk, located at 1050 Royal Palm Beach Boulevard, Royal Palm Beach, Florida 33411, for subject project 3:30 p.m. local time **Wednesday, February 3, 2021**, then opened publicly at that time.

- 3) Updated cutoff dates are as follows:
 - a. No RFIs shall be accepted 5 calendar days before Bid Opening (**Friday, January 29, 2021**)
 - b. No Addenda shall be issued 3 work days before Bid Opening (**Friday, January 29, 2021**), except an Addendum withdrawing the request for Bids, one which includes postponement of the date for receipt of Bids, or one whose content is limited to the listing of additional approved manufacturers and substitutions.

APPROVED BY: Christopher A. Marsh, P.E., Village Engineer

ACKNOWLEDGMENT OF RECEIPT: _____

Bidder

PHOTOMETRIC SPECIFICATIONS

Horizontal Footcandles

1.2 Minimum Average
5.0 Maximum

Photometric Plans

Photometric Plan and Photometric
As-Built's shall be certified by an
engineer.



The Village is not authorized to require specific products for this project. The following product specification sheets are given as examples of the Village's requirements and expectations for the FPL Pathway Lighting project, including warranties. All branding information has been removed. Use these sheets and the detail sheets in the plans to select products for your bid. It is not required to bid with these exact products, but this will be the standard to determine approved equals.

PRODUCT SPECIFICATIONS

R1/B3 LED ENGINE

Light engine shall be an array of 36, 42, 54 or 63 solid state

high power LEDs (light emitting diodes) mounted to a multi-sided, vertical heat sink of highly conductive aluminum. The LED emitters are mounted to removable circuit boards such that they are in full thermal contact with the vertical heat sink. The vertical heat sink is open at the bottom and vented at the top to provide appropriate dynamic airflow cooling for the LED array. The emitters are arranged in various patterns on each face of the vertical heat sink to provide the required light distribution.

The LED arrays include optical baffles constructed of optical grade ABS plastic with a vacuum metallized reflective surface or clear acrylic precision refractors over each diode. Both optical options are designed to efficiently control light distribution in IESNA Type IV & V for the B3 and Type III & V for the R1.

P4 LED ENGINE

Light engine shall include an array of high power LEDs (light emitting diodes). The emitters shall be mounted to a metal core circuit board using SMT technology. The LEDs and circuit boards shall then be mounted to a high performance heat sink.

External light control shall consist of high precision refractive lenses mounted above the LED emitter arrays in such a way to achieve optimum upright control. The lenses shall also control horizontal light distribution so that either Type II, III, IV or V IESNA distribution patterns are achieved.

LENS

The lens panels shall be made of polycarbonate or acrylic. The polycarbonate shall be a minimum of 3/16" thick

The acrylic shall be a minimum of 3/16"

LUMINAIRE CONSTRUCTION

All cast components shall consist of a heavy grade A319 cast aluminum. The main body or capital, acts as an enclosure for the driver assembly and is of adequate thickness to give sufficient structural rigidity. The capital shall have an opening at the base tenon body to allow the luminaire to be mounted to a tenon of 3-1/2" maximum diameter. The capital lock to a 7" OD post top ring. The luminaire shall be locked in place by means of heavy duty, stainless-steel set-screws.

LUMINAIRE ASSEMBLY

The luminaire assembly is a self-contained unit consisting of a rugged cast aluminum body, and the LED light engine consisting of aluminum castings and the LED light engine. The LED light engine is of a modular design, and is able to be quickly removed from the luminaire assembly without the need to disassemble the luminaire assembly itself. The luminaire assembly is composed of octagonal cast top and bottom rings and eight cast aluminum struts comprising the housing. The hinged lid is cast aluminum and is secured to the main housing by a stainless steel rotary latch.

DRIVER

The LED universal dimmable driver will be class 2 and capable of 120 - 277V or 347 - 480V input voltage, greater than 0.9 power factor, and less than 20% total harmonic distortion. The case temperature of the driver can range from -40°C to 70°C. Each LED system comes with a standard surge protection designed to withstand up to 20kV/10kA of transient line surge as per IEEE C62.41.2 C High. An in-line ferrite choke is utilized to provide protection against EFT's.

PHOTOMETRICS

Fixtures are tested to IESNA LM79 specifications. These reports are available upon request.

CHROMATICITY

High output LEDs come standard at 3000K & 4000K (+/- 300K) with a minimum nominal 70 CRI. Additional CCT emitters are available upon request.

LUMEN MAINTENANCE

Reported (TM21) and Calculated (L70) reports are available upon request with a minimum calculated value of 100,000 hrs.

WIRING

All internal wiring and connections shall be completed so that it will be necessary only to attach the incoming supply connectors

shall be certified for 600V operation. Internal wire connectors shall be crimp connector only and rated at 1000V and 150°C. All wiring to be CSA certified and/or UL listed, type SFF-2, SEWF-2, or SEW-2 No. 14 gauge, 150°C, 600V, and color coded for the required voltage.

THERMALS

Fixtures tested by a DOE sanctioned test facility to determine the maximum in-situ solder-point or junction-point temperatures of the LED emitters. This report is available upon request.

FINISH

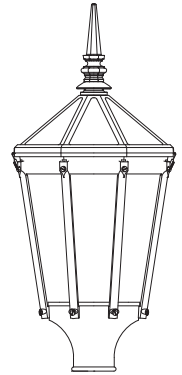
Housing is finished with a 13 step polyester TGIC powder coat. Standard colors include strobe white, brown metal, marina blue, gate gray, Chicago bronze, standard gold, standard black, federal green and rain forest. Please see our website for a complete list of colors. RAL and custom color matches are available.

MISCELLANEOUS

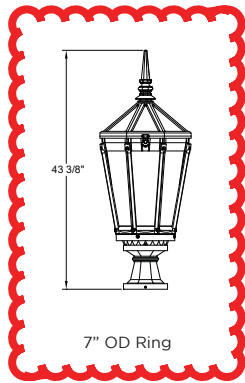
All exterior hardware and fasteners, wholly or partly exposed, shall be stainless-steel alloy. All internal fasteners are stainless-steel or zinc coated steel. All remaining internal hardware is stainless steel, aluminum alloy, or zinc coated steel.

WARRANTY

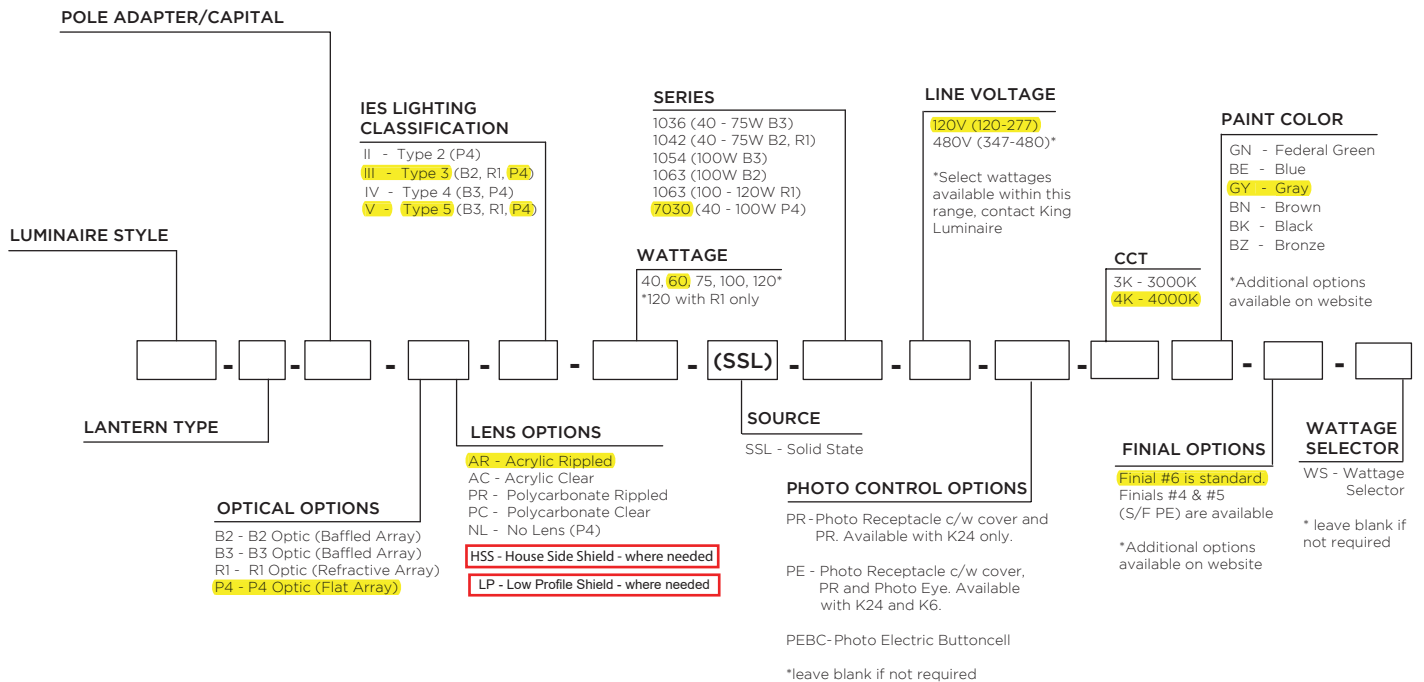
The LED luminaire comes with a 7 year limited warranty.



FIXTURE OPTIONS

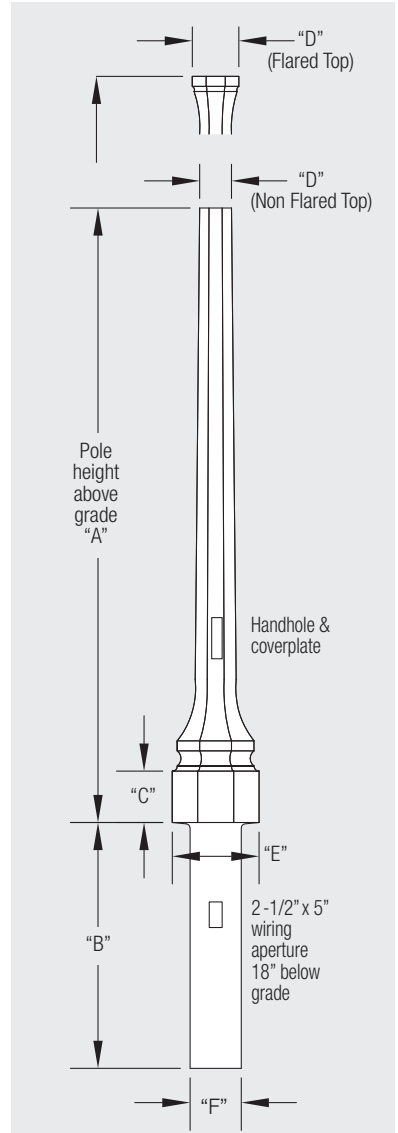


HOW TO ORDER



Specification Details*

Description	Catalog Number	"A" Pole Height Above Grade	"D" Tip Dimension	"C" Stepped Section Height	"E" Flare	"B" Direct Burial Length & "F" Dia.	Pole Weight Direct Burial	Pole Weight Base Plate
11'		11' 0"	9"	6"	18"	4' 6" x 9 1/2"	1050 lbs	850 lbs
12'		12' 0"	5 3/4"	10"	17"	4' 6" x 9 1/2"	1300 lbs	1100 lbs
14'		13' 11"	9"	10"	17"	4' 6" x 9 1/2"	1370 lbs	1170 lbs
18'		18' 0"	6 1/4"	10"	18"	5' 0" x 9 1/2"	1500 lbs	1300 lbs
20'		20' 0"	6"	10"	18"	5' 0" x 9 1/2"	1600 lbs	1400 lbs
22'		22' 0"	5 3/4"	10"	18"	5' 0" x 9 1/2"	1700 lbs	1500 lbs
25'		25' 0"	5 3/8"	10"	18"	5' 0" x 9 1/2"	1800 lbs	1600 lbs
30'		30' 0"	4 3/4"	10"	18"	5' 0" x 9 1/2"	1900 lbs	1700 lbs



How to Catalog for

Concrete Pole

Pole Style

KBH **30'**

Height

5' - 30'

Finish

E – Etched Finish
S – Polished Finish

E **40**

Color**

10 – Midnight Lace
11 – Eclipse Black
30 – Salt & Pepper
40 – Pearl Gray
90 – Saluki bronze

Footing Details

DB – Direct Buried
FBP – Flush Baseplate
SBP – Stub Baseplate

DB **140 30/30**

Tenon (Post Top Mount)

Specify Tenon Size

For example 140 30/30
= **2 7/8" OD & 3" long**

Coating

NA – Non Acrylic
A – Acrylic
AG – Anti Graffiti Coating***

GFI **NA**

Options*

DR – Duplex Receptacle
GFI – Ground Fault Duplex Receptacle
SR – 1 Outlet
LRN – Ladder Rest
BPC – Base Plate Cover
AB – Anchor Bolts
BA – Banner Arms
FH – Flag Holders

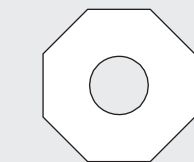
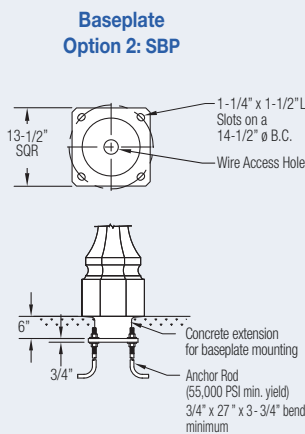
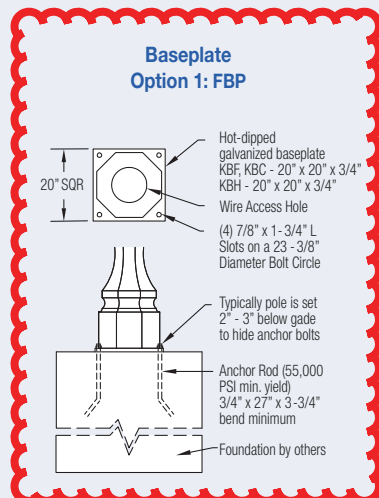
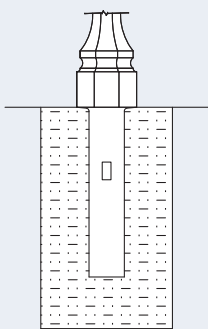
* Consult website for full listings. ** See decor colors on page 2 for full selection of colors.
***Anti Graffiti Coating is extra, consult factory for more details.

Footing Details

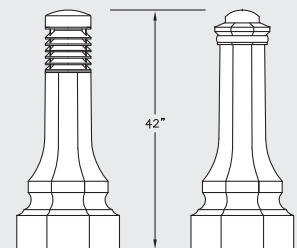
Direct Buried

(Simple and Cost Effective)

1. Auger the setting hole.
2. Set pole in hole and plumb straight.
3. Backfill* with required backfill tamping every 4" to 6".



Typical Pole Cross Section



Lighted Bollard Nonlighted Bollard

*Generally the excavated material can be used for backfill, in some situations better backfill may be required.

WARRANTY

LED LUMINAIRES: ELECTRICAL COMPONENTS

SEVEN (7) YEAR WARRANTY

Manufacturer provides a **Seven (7) Year Warranty** for its products to be free of defects in materials and workmanship. This warranty includes LED electrical components, including LED emitters based on an operational life expectancy of 50,000 hours. Expected life for LEDs is determined as the time at which the emitters(s) will operate at 70% of their initial lumen output. At **Manufacturer's** option, we will repair or replace, without charge, any properly installed **Manufacturer** product we deem to be defective if such product has failed under normal conditions, use, service and maintenance.

Any **Manufacturer** product that has been damaged due to handling, transportation, installation, vehicular impact, abuse or vandalism is not covered under this warranty.

This warranty does not cover instances where the product is used outside of its specifications.

This warranty commences at the date of shipment, is not transferable and is applicable only to the original purchaser.

This warranty constitutes the entire obligation of **Manufacturer** to the original purchaser and further constitutes the original purchaser's sole remedy. **Manufacturer** makes no other express or implied warranty of fitness for a particular purpose, nor of merchantability, nor any other express or implied warranties. **Manufacturer's** responsibility under this warranty does not include any obligation to reimburse the original purchaser for transportation, installation, removal, repair, or any other incidental expenses incurred by the original purchaser, or others, in relation to any product defect covered by this limited warranty. Furthermore, **Manufacturer** is not liable for any consequential or resultant damages which may arise from product defects, whether foreseen, or unforeseen. In no event will **Manufacturer** be responsible or liable for any labor costs.

EXCLUSIONS

This is a limited warranty, and excludes installation and consequential damages (such as loss of revenue/profits, damage to property or other extended costs not previously mentioned), and is further defined by the limitations and conditions below.

Manufacturer shall not be liable for any loss of use of the equipment, inconvenience, or any other damages, whether direct, indirect, incidental or consequential resulting from the use of this product, or arising out of any breach of this warranty. The limited warranty and remedies set herein are exclusive and in lieu of all other warranties whether statutory, express or implied including all warranties of merchantability and fitness for particular purpose.

Repair or replacement of the product or the defective part does not include any reinstallation costs or expenses, including without limitation labor costs or other expenses.

This limited warranty does not cover the following:

1. Product failure caused by faulty power or supplies, overheating caused by improper installation.
2. Failure caused by fires, misuse, accidents, abuse, neglect, mishandling, misapplication, improper handling/installation incurred by the user/installer or "Acts of God" (such as lightning or fluctuations in electrical power).
3. Product is left operating in conditions/requirements other than those mentioned in respective product brochures or fixture installation instruction sheets supplied with each fixture when shipped.
4. Products which have been modified by someone other than **Manufacturer**
5. The product has been serviced by personnel not authorized by **Manufacturer**

LIMITATIONS AND CONDITIONS

Products should be used within their specifications (e.g. case temperature higher than normal range, water ingress and other extreme conditions) and according to application guidelines. Warranty becomes void if the product is used outside its intended use. Warranty will also be voided should the customer fail to appropriately maintain the installed product.

This warranty applies only to the repair or replacement of the product and only when the product is properly handled, installed and maintained according to our installation instructions. Purchaser must notify **Manufacturer** in writing within 30 days of noticing the defect.

Products must be operated within the specified electrical values; and operated in environmental conditions within the normal specified operating range of the system. **Manufacturer** cannot be held liable for electrical supply conditions, including supply spikes, and over-voltage/under-voltage that are beyond the specified limits of the products and those defined by relevant supply standards.

This warranty applies only to products that have been properly stored, installed, and maintained. **Manufacturer** cannot be held liable if the purchaser or the user fails to comply with any applicable instructions and recommendations of the manufacturer such as: the above mentioned environmental, handling and electrical conditions, excessive operation of the product (more than 4,600 hours per year), and LED light components being interchanged with components of other manufacturers.

LIMITATIONS AND CONDITIONS, CONTINUED

Manufacturer shall not be responsible for any failure of its products that result from external causes, including but not limited to “Acts of God”; power surges that exceed product specification; improper power supply; fault or negligence of the purchaser or user; improper use, installation, handling, storage, alteration or service; any abuse, misuse, abnormal use or use in violation of any applicable standard, code or instructions for use in installations including those contained in the latest National Electrical Code (NEC), the Standards for Safety of Underwriters Laboratory, Inc. (UL), Standards for the American National Standards Institute (ANSI), the Canadian Standards Association (CSA); or any cause other than a defect in the material or workmanship of the product itself.

Notwithstanding anything to the contrary in this limited warranty document, the LED module of the product shall not be deemed to fail to meet the warranties above unless **ten percent (10%) or more of the LEDs in the module do not light.**

For a valid warranty claim to be honored, a detailed description of any defect(s) covered by this warranty must be given in writing within the warranty period. **Manufacturer**, at our sole discretion, will either repair or replace the defective part or product at our cost, such repair to occur either onsite or, at our discretion, at our factory (should factory repair be required, product to be removed at original purchaser’s expense and returned to our facility freight prepaid). In no event will **Manufacturer** be responsible or liable for any labor costs.

WARRANTY

LED LUMINAIRES: PAINT, POWDER COATING, AND ACRYLIC, POLYCARBONATE AND GLASS ENCLOSURES

FIVE (5) YEAR WARRANTY

Manufacturer provides a **Five (5) Year Warranty** for its products to be free of defects in materials and workmanship. This warranty includes paint or powder coatings, and acrylic, polycarbonate and glass enclosures on our lighting products. At **Manufacturer's** option, we will repair or replace, without charge, any properly installed **Manufacturer** product we deem to be defective if such product has failed under normal conditions, use, service and maintenance.

Any **Manufacturer** product that has been damaged due to handling, transportation, installation, vehicular impact, abuse or vandalism is not covered under this warranty.

This warranty does not cover instances where the product is used outside of its specifications.

This warranty commences at the date of shipment, is not transferable and is applicable only to the original purchaser.

This warranty constitutes the entire obligation of **Manufacturer** to the original purchaser and further constitutes the original purchaser's sole remedy.

Manufacturer makes no other express or implied warranty of fitness for a particular purpose, nor of merchantability, nor any other express or implied warranties.

Manufacturer's responsibility under this warranty does not include any obligation to reimburse the original purchaser for transportation, installation, removal, repair, or any other incidental expenses incurred by the original purchaser, or others, in relation to any product defect covered by this limited warranty. Furthermore,

Manufacturer is not liable for any consequential or resultant damages which may arise from product defects, whether foreseen, or unforeseen. In no event will

Manufacturer be responsible or liable for any labor costs.

WARRANTY

SPUN CONCRETE POLES AND BOLLARDS

LIFETIME WARRANTY

Manufacturer provides a limited **Lifetime Warranty** for its spun concrete poles and bollards to be free of defects in materials and workmanship. At **Manufacturer's** option, we will repair or provide a replacement of, without charge, any properly installed **Manufacturer** product we deem to be defective after such product has failed under normal conditions, use, service and maintenance.

This limited lifetime warranty specifically excludes the natural aging process on coatings. This limited lifetime warranty also excludes the electrical components of spun concrete bollards which is covered under a separate warranty. Concrete pole accessories including but not limited to platforms, cross arms, arms, ACE, pole steps, GFI's, climbing cables & flag holder accessories are covered under separate manufacturers' warranties; please contact **Manufacturer** for more information. Any **Manufacturer** product that has been damaged due to handling, transportation, installation, vehicular impact, abuse or vandalism is not covered under this warranty. Where the product is used outside its specified use this warranty is null and void.

This warranty commences at the date of shipment, is not transferable and is applicable only to the original purchaser.

This warranty constitutes the entire obligation of **Manufacturer** to the original purchaser and further constitutes the original purchaser's sole remedy. **Manufacturer** makes no other express or implied warranty of fitness for a particular purpose, nor of merchantability, nor any other express or implied warranties. **Manufacturer's** responsibility under this warranty does not include any obligation to reimburse the original purchaser for transportation, installation, removal, repair, or any other incidental expenses incurred by the original purchaser, or others, in relation to any product defect covered by this limited lifetime warranty. However, at **Manufacturer's** discretion, a reimbursement for the cost associated with the removal and reinstallation of any **Manufacturer** product that is deemed to be defective under this warranty may be paid to the end user, to a maximum of \$300.00 per unit, during the first ten (10) years of this warranty. Any product deemed to be defective under the terms of this warranty after a period of ten (10) years will be subject to unit replacement only. Furthermore, **Manufacturer** is not liable for any consequential or resultant damages which may arise from product defects, whether foreseen, or unforeseen. In no event will **Manufacturer** be responsible or liable for any labor costs.

The **Manufacturer** defines "Lifetime" as the lifetime of the product's intended use.